

b68 *maker*



Presser Foot Set
b68 Maker

bernette

SWISS DESIGN

How to change the Presser Foot Spring

4



Piping Foot

6



Elasticator Foot

8



Blindstitch Foot

10



Gathering Foot

12



Standard Presser Foot with Clear Sole

14



Hemmer Foot

16



Coverstitch Fabric Guide

18

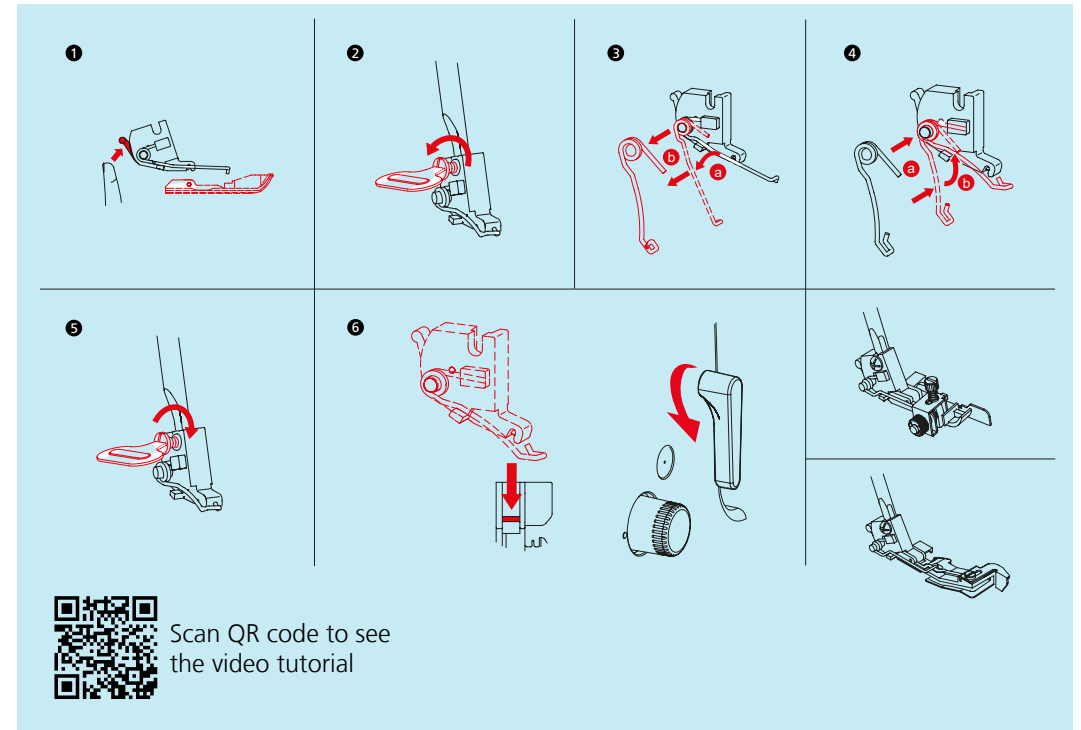
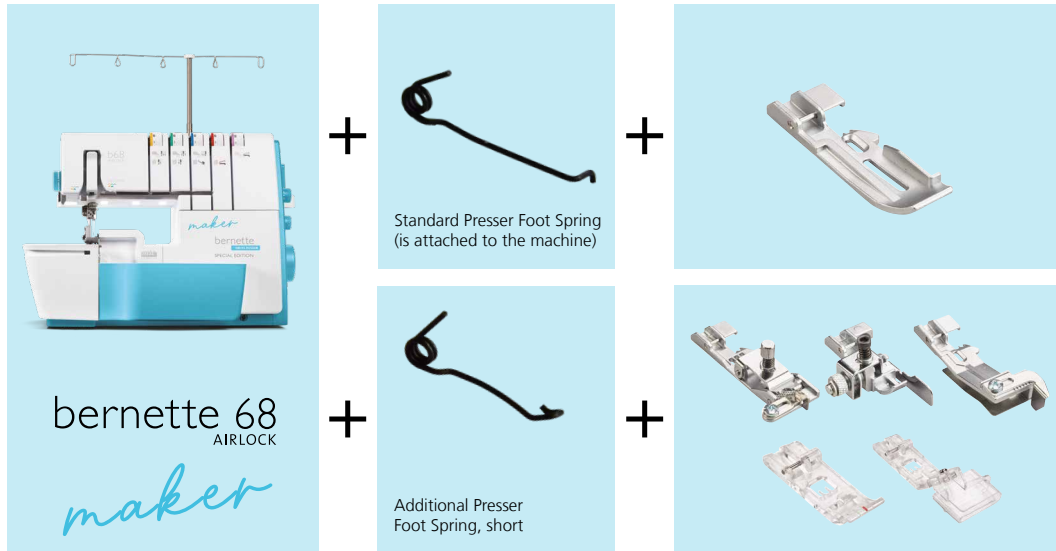


Overlock Fabric Guide

19



How to change the Presser Foot Spring

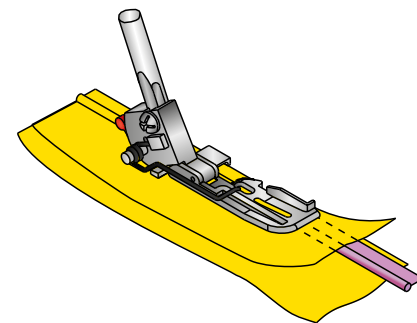


Piping Foot

The Piping Foot is designed to create and attach up to 1/8" (3 mm) wide piping, or doing both actions in one step. Piping is an attractive accent for home dec or details on garments.



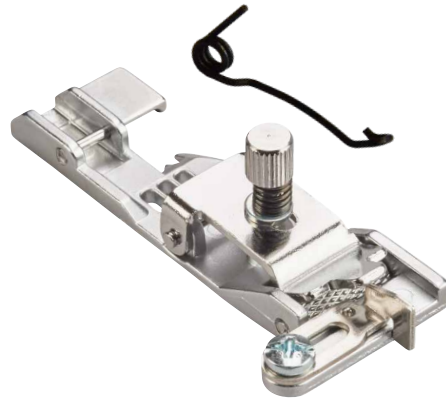
- Set machine for a 4-thread overlock or a wide 3-thread overlock (left needle).
- Cords/Piping including fabric of up to 1/8" (3 mm) in diameter can be used.
- Attach Piping Foot.
- Place the cord into the groove along the bottom of foot and extend it 2" (5 cm) behind the foot.
- Lower presser foot.
- Wrap the bias cut fabric strip tightly around cord, placing the raw edges on the right side.
- Optionally, place the fabric over and under the piping for sewing it in in one step.
- Start sewing, keeping the cord and the fabric fold in the groove. Excess seam allowance will be cut away.



Elasticator Foot (Overlock or Coverstitch)

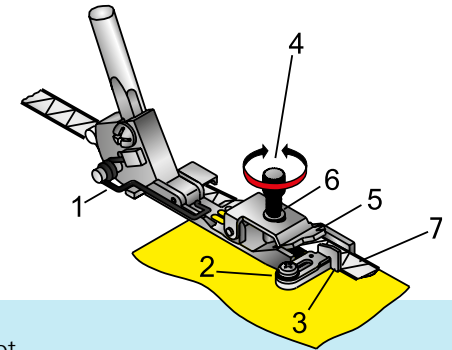
Elasticator Foot

The Elasticator Foot makes attaching elastic smooth and simple. Perfect for creating swimming or sportswear and home furnishing projects. Even the soft fabrics for lingerie can be processed easily.



Overlock: Set machine for a 3- or 4-thread overlock, using the needle position depending on the elastic width.

Coverstitch: Set machine for a coverstitch, using up to three needles, depending on the width of the elastic tape.

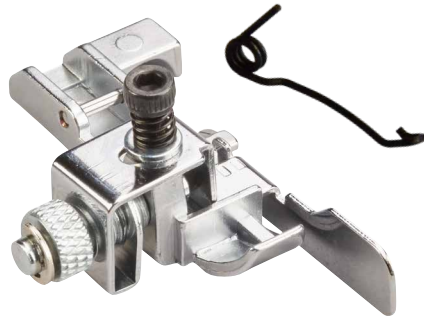


- Attach short Presser Foot Spring (1) to use this foot.
- Loosen the screw (2) to slide the guide (3) to match it with the width of the elastic tape, then tighten the screw (2) again.
- Attach Elasticator Foot.
- Loosen the screw (4) so that the opening (5) of the brake (6) is opened by 1.5 to 2 mm.
- Place the elastic tape (7) into the guide (3) and place it under the foot.
- Tighten brake (6) by turning the screw (4). The tighter the screw (4), the stronger the pressure of the brake (6) on elastic tape, which results in a stronger gathering effect.
- Adjust the stitch length between 3 and max.
- Lower the presser foot and test sew to define the optimum gathering effect for the project.

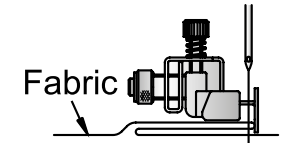
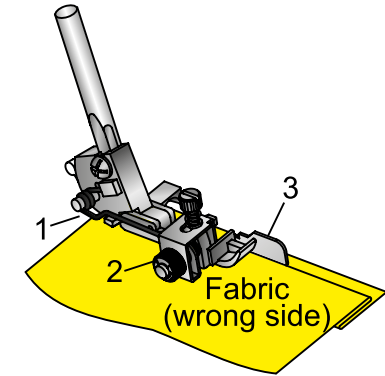
Blindstitch Foot

Blindstitch Foot

The Blindstitch Foot can be used for multiple practical and decorative applications. It is perfect to create hems using a flatlock stitch or evenly spaced pintucks with a rolled hem. The guide of the foot is also well suited for guiding lace ribbons along fabric edges, ensuring accuracy in hemming garments or home decor items.



- Attach short Presser Foot Spring (1) to use this foot.
- Set machine for a 3-thread overlock narrow (with the right needle), loosen the needle thread tension slightly.
- Set stitch length at maximum and the differential feed at 1.
- Attach Blindstitch Foot.
- Place the hem under the foot by folding the hem at the desired width and folding it back again (pre-press the hem for easier guiding).
- Lower presser foot.
- Turn the dial (2) to adjust the guide (3) to the left or to the right until the fold of the fabric is just on the right of the needle. The needle must only pierce the edge of the fold.
- While sewing, hold the fabric fold against the guide.
- After stitching, unfold the fabric and press it lightly from the wrong side.

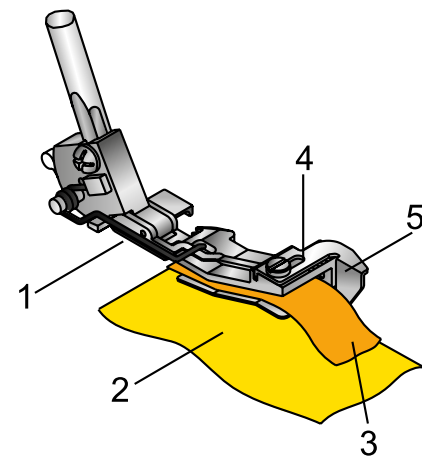


Gathering Foot

Looking for ways to save time and be more efficient at your sewing? The Gathering Foot can be used to either gather fabric or sew the fabric to be gathered to a flat piece of fabric in one step.



- Attach short Presser Foot Spring (1) to use this foot.
- Set machine for a 4-thread overlock
- Set stitch length at maximum and the differential feed between 1.5 and 2.
- Maximum gathering is achieved with max stitch length and max differential feed.
- Attach Gathering Foot.
- Place the fabric to be gathered (2) under the foot and the gathering plate with the right side up.
- Lower foot and sew a few stitches to stabilize it.
- Raise foot, place the fabric that remains flat (3) with the wrong side up over the gathering plate (4), feeding the edge along the guide (5).
- Lower foot and test sew to define the optimum gathering effect.



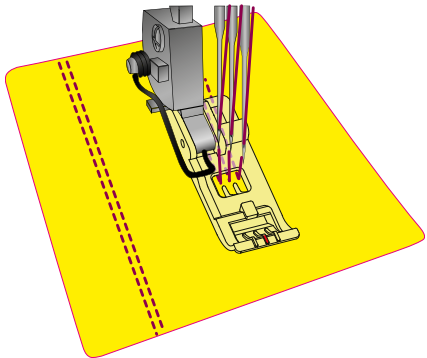
Standard Presser Foot with Clear Sole

Standard Presser Foot with Clear Sole

The clear sole allows the perfect view of your stitching area. It is ideal for practical and decorative seams and hems. It facilitates sewing precisely at the beginning and the end of a seam. This foot also makes it easier to sew along an edge or in the middle of the fabric along a stripe or pattern.



- Attach short Presser Foot Spring to use this foot.
- Set machine for a coverstitch or chain stitch.
- Attach Standard Presser Foot with Clear Sole.
- Place the fabric under the foot and lower it.
- While sewing, guide the fabric as needed.
- Tip: use the Coverstitch Fabric Guide for accurate stitching along an edge.



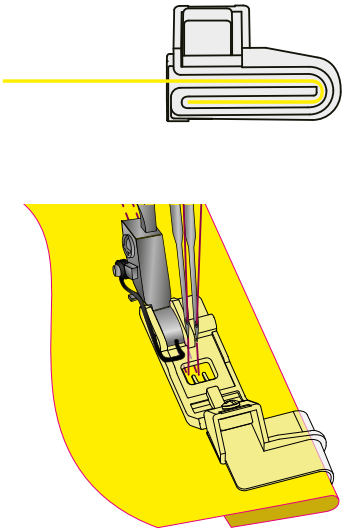
Hemmer Foot

Hemmer Foot

The Hemmer Foot allows quick and easy sewing of even hems at a width of 1" (25 mm). A narrow or wide coverstitch can be used to neaten the cut edge. A chainstitch is useful for edges that don't need neatening. A decorative effect can be achieved by placing the fabric wrong side up, so that the hem and looper thread show on the outside.



- Attach short Presser Foot Spring to use this foot.
- Set machine for coverstich or chainstitch.
- Attach Hemmer Foot.
- Insert the fabric until the edge of fabric lays against the guide under the foot.
- Lower presser foot and sew, guiding the fabric into the foot. 1" (25 mm) of hem is produced.
- Note: when sewing in a circle or tubular projects, before the seam end, take the fabric out of the guide and place all layers under the foot. Sew a few stitches over the first stitches.



Coverstitch Fabric Guide

The Coverstitch Fabric Guide is designed for parallel stitching of hems and decorative embellishments. The adjustable guide can be set up to $1\frac{5}{8}$ " (40 mm) to the right of the needles.

- Set machine for the desired coverstitch or chainstitch.
- Place the guide on the coverstitch insert at the desired distance to the needles.
- To attach, use one or two screws, depending on the required distance to the needles.
- Slightly tighten the screw(s).
- Measure for precise distance and tighten the screw(s) firmly.
- Hold the edge, fold or hem along the guide while sewing.



Overlock Fabric Guide

The Overlock Fabric Guide allows for precise guiding of a fabric edge to achieve regular cut-off of excess seam allowance. It is also useful to sew along a folded edge without cutting. Simply attach the guide to the knife cover. The adjustable guide facilitates cutting the seam allowances of up to $\frac{3}{4}$ " (20 mm).

- Set machine for the desired overlock stitch or combo stitch.
- To attach, clip the fabric guide over the knife cover from the rear to the front until it clicks on firmly.
- Adjust it to the right for the suitable cut-off of excess seam allowance.
- Adjust it to the left of the knife if you wish to sew along a fold without cutting it.
- To detach, push it up at its front until it releases from the knife cover.



